



# TAI-SAW TECHNOLOGY CO., LTD.

No. 3, Industrial 2nd Rd., Ping-Chen Industrial District,  
Taoyuan, 324, Taiwan, R.O.C.

## Approval Sheet For Product Specification

Issued Date: 4/6/2005 (REV. NO.: 1)

Product Name: SMD 5x3.2 16.367667MHz TCXO

TST Parts No.: TX0156A

Customer Parts No. : \_\_\_\_\_

Company: _____
Division: _____
Approved by : _____
Date: _____

Checked by: \_\_\_\_\_ Kelly Huang \_\_\_\_\_

Approval by: \_\_\_\_\_ TF Yang \_\_\_\_\_

Date: \_\_\_\_\_ 4/6/2005 \_\_\_\_\_



# TAI-SAW TECHNOLOGY CO., LTD.

No. 3, Industrial 2nd Rd., Ping-Chen Industrial District,  
Taoyuan, 324, Taiwan, R.O.C.

## SMD 5.0x3.2 16.367667MHz TCXO

MODEL NO.: TX0156A

REV. NO.: 1

### Features:

- Miniature SMD Package
- Good Frequency Stability
- Good Phase Noise Response

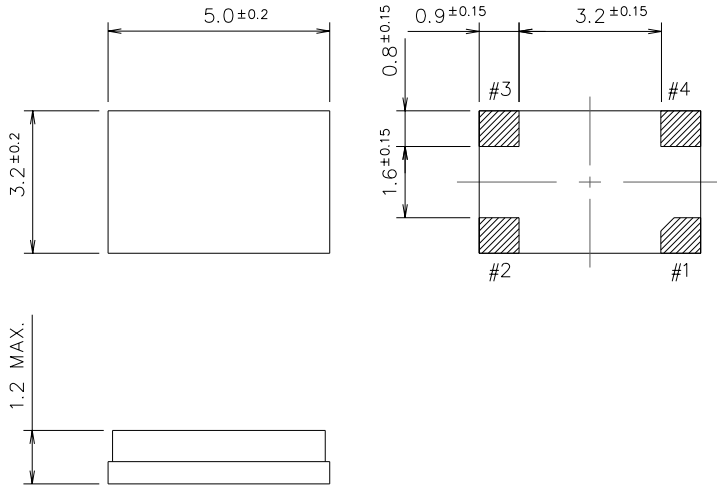
### Description and Applications:

Surface mount 5.0mmx3.2mm TCXO for use in GPS system

### Electrical Specifications:

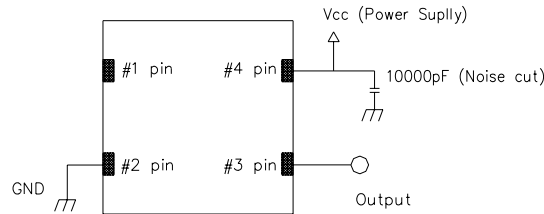
TX0156A	Specifications
Nominal Frequency, Fo	16.367667 MHz
Storage Temperature Range	-40°C to +85°C
Operating Temperature Range	-40°C to +85°C
Power Supply Voltage, Vcc	3.3 V
Output Voltage with Load 10pF//10KΩ, Vout	0.8 Vp-p min
Power Supply Current, Icc	2.0 mA max
Frequency Tolerance after Reflow	+/- 1.0 ppm max @ 25°C +/- 3°C
Frequency Stability a. Vs. Temperature (-40~85°C) b. Vs. Supply Voltage varied 3.3V+/-5%	+/- 2.5 ppm +/- 0.2 ppm
Harmonics	-5.0 dBc max
SSB Phase Noise (@1KHz Carrier Offset)	-130 dBc/Hz max
Aging	+/-1.0 ppm/year @25°C

# Mechanical Dimensions (mm):



	Pin Connection
#1 pin	NC/GND
#2 pin	GND
#3 pin	Output
#4 pin	+Vcc

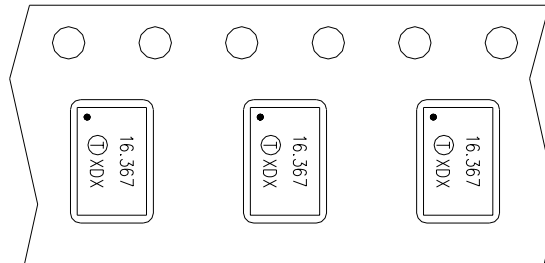
## Recommended Circuit



## Marking:

Line 1: Customer Frequency (16.367)

Line 2: (pin #1 point) + TST Logo + Crystal Product Code + Date Code



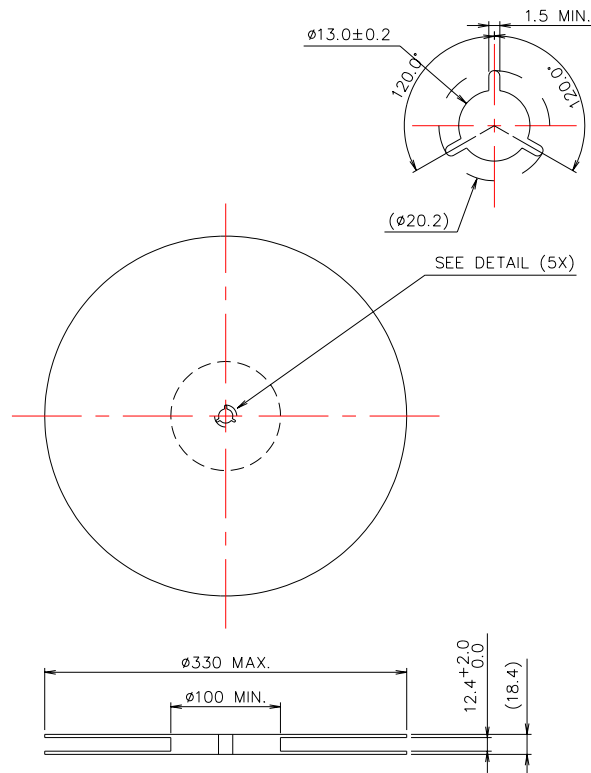
## Product Code Table

Year	2001	2002	2003	2004
	2005	2006	2007	2008
Product Code	X	x	<u>X</u>	<u>X</u>

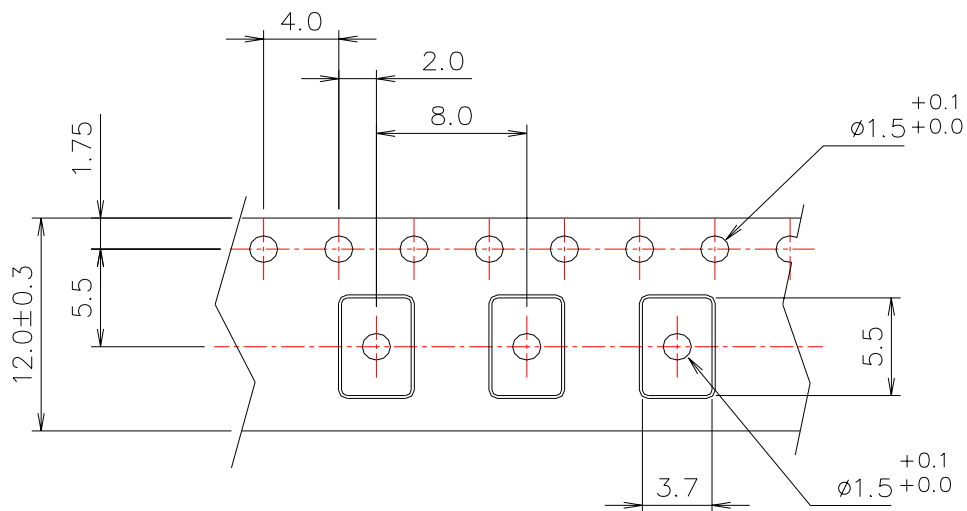
## Date Code Table

WK01	WK02	WK03	WK04	WK05	WK06	WK07	WK08	WK09	WK10	WK11	WK12	WK13
A	B	C	D	E	F	G	H	I	J	K	L	M
WK14	WK15	WK16	WK17	WK18	WK19	WK20	WK21	WK22	WK23	WK24	WK25	WK26
N	O	P	Q	R	S	T	U	V	W	X	Y	Z
WK27	WK28	WK29	WK30	WK31	WK32	WK33	WK34	WK35	WK36	WK37	WK38	WK39
a	b	c	d	e	f	g	h	i	j	k	l	m
WK40	WK41	WK42	WK43	WK44	WK45	WK46	WK47	WK48	WK49	WK50	WK51	WK52
n	o	p	q	r	s	t	u	v	w	x	y	z

## Reel Dimensions (mm):



## Tape Dimensions (mm):



### [NOTE]:

1. Unless otherwise specified tolerance on dimension  $\pm 0.1$  mm.
2. Material: conductive polystyrene with color black
3. 10 pitch cumulative tolerance  $\pm 0.2$  mm.

# Reflow Profile:

