

Общество с ограниченной ответственностью
«Научно-производственное предприятие «Техно-ПАРК»
(ООО «НПП «Техно-ПАРК»)

Тел/факс (495) 411-96-09

Юридический и фактический адрес: 121357, г. Москва, ул. Верейская, д. 29, стр. 135.

Почтовый адрес для переписки: 121357 Москва, а/я 61.

E-mail: mail@sawtechno.ru

Web: www.sawtechno.ru

Технические характеристики фильтра на ПАВ ТВ0203В

Производитель: TAI-SAW TECHNOLOGY CO., LTD

Поставщик: ООО «НПП «Техно-ПАРК» - авторизованный дистрибьютор компании
TAI-SAW TECHNOLOGY CO., LTD

Научно-производственное предприятие ООО «НПП «Техно-ПАРК» разрабатывает и поставляет полосно-пропускающие радиочастотные фильтры на поверхностных акустических волнах (ПАВ) и устройства на их основе. «НПП «Техно-ПАРК» имеет собственную научную и производственную базу, а также является авторизованным дистрибьютором мирового лидера по производству фильтров на ПАВ компании TAI-SAW TECHNOLOGY CO., LTD

E-mail: mail@sawtechno.ru Web: www.sawtechno.ru



TAI-SAW TECHNOLOGY CO., LTD.

No.3, Industrial 2nd Rd., Ping-Chen Industrial District, Taoyuan, Taiwan, R.O.C.
TEL: 886-3-4690038 FAX: 886-3-4697532

Low-Loss 140 MHz IF SAW Filter (SMD 13.3×6.5 mm)

Model No.: TB0203B

Rev. No.:2.0

A. Maximum Rating:

RoHS Compliant
Lead free
Lead-free soldering

1. Input Power Level: +20 dB_m
2. Operating Temperature: -55 C to +85 C
3. Storage Temperature: -55 C to +85 C

Electrostatic Sensitive Device

B. Electrical Characteristics:

Operating Temperature: -55 C to +85 C

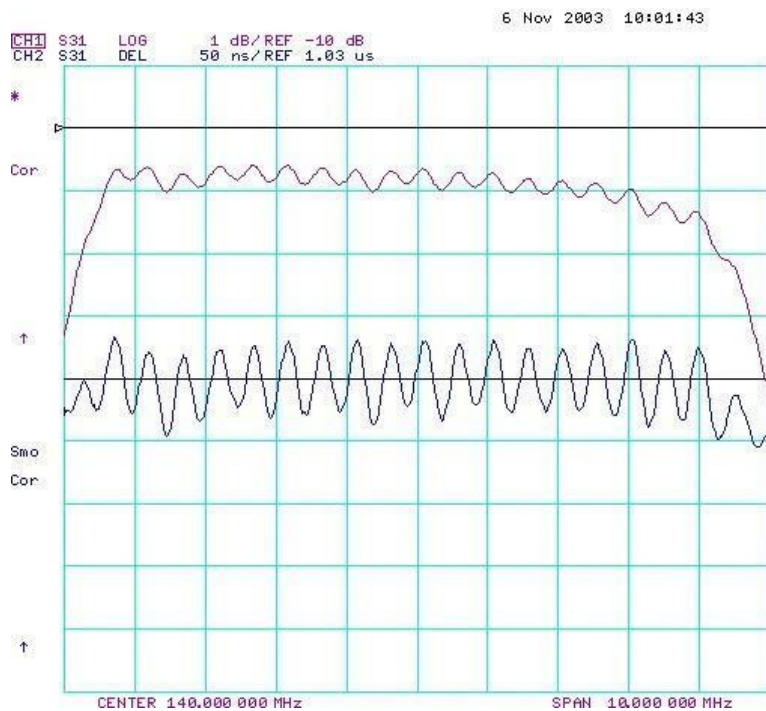
Parameters	Unit	Min.	Typical	Max.
Center frequency, F_c	MHz	-	140	-
Insertion Loss, IL	dB	-	10.5	12.5
1.5 dB Bandwidth	MHz	8.9	9.3	-
3 dB Bandwidth	MHz	9.4	9.9	-
35 dB Bandwidth	MHz	-	13.5	14.5
Relative Attenuation:				
10 to 132 MHz	dB	45	50	
149 to 260 MHz	dB	40	47	
Amplitude ripple within F _c 3.6 MHz	dB	-	0.65	2.0
Group Delay ripple within F _c 3.6 MHz	nsec	-	60	150
Substrate Material	-	-	YZ-LN	-
Temperature Coefficient of frequency	ppm/ C	-	-86	-

C. Frequency Characteristics:

(1) Frequency Response



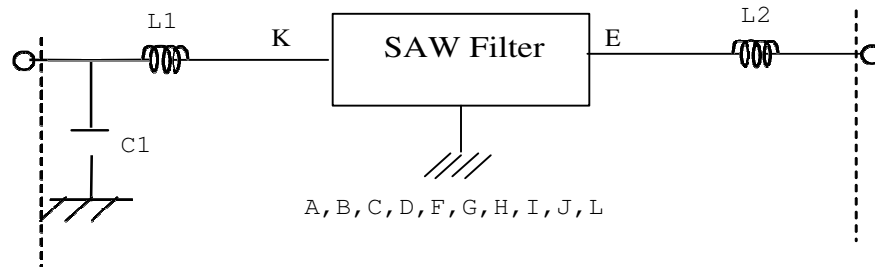
(2) Passband response and Group Delay Variation



D. Measurement Circuit:

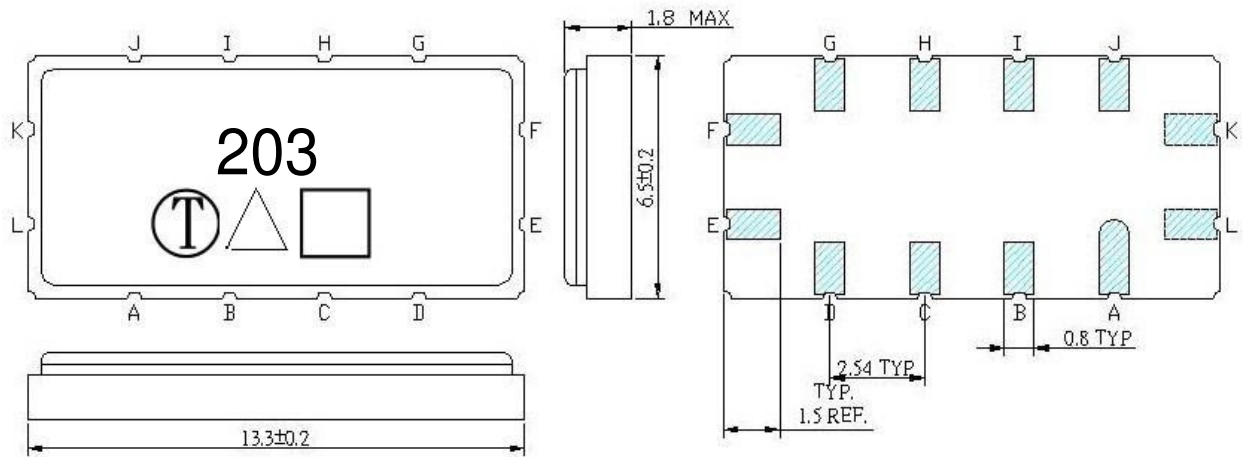
Source and load impedance: 50

Network analyzer



Input: L1=82H, Q>40; C1=33 pF
Output: L2=56 nH, Q>40

E. Outline Drawing:



Unit: mm

- Pin K: RF Input
- Pin E: RF Output
- Pin L: Input Ground
- Pin F: Output Ground
- Pin A, B, C, D, G, H, I, J: To be Ground

: Week Code

Unit: mm

△ : Product / Year Code

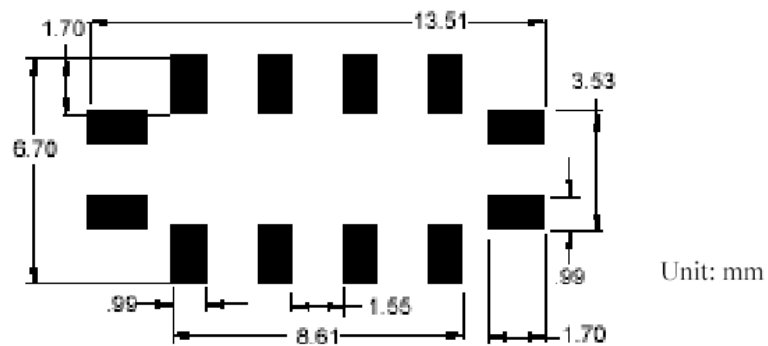
Product / Year Code

Year	2018	2019	2020	2021
Product Code	b	<u>B</u>	<u>b</u>	B

Week Code Table

WK01	WK02	WK03	WK04	WK05	WK06	WK07	WK08	WK09	WK10	WK11	WK12	WK13
A	B	C	D	E	F	G	H	I	J	K	L	M
WK14	WK15	WK16	WK17	WK18	WK19	WK20	WK21	WK22	WK23	WK24	WK25	WK26
N	O	P	Q	R	S	T	U	V	W	X	Y	Z
WK27	WK28	WK29	WK30	WK31	WK32	WK33	WK34	WK35	WK36	WK37	WK38	WK39
a	b	c	d	e	f	g	h	i	j	k	l	m
WK40	WK41	WK42	WK43	WK44	WK45	WK46	WK47	WK48	WK49	WK50	WK51	WK52
n	o	p	q	r	s	t	u	v	w	x	y	z

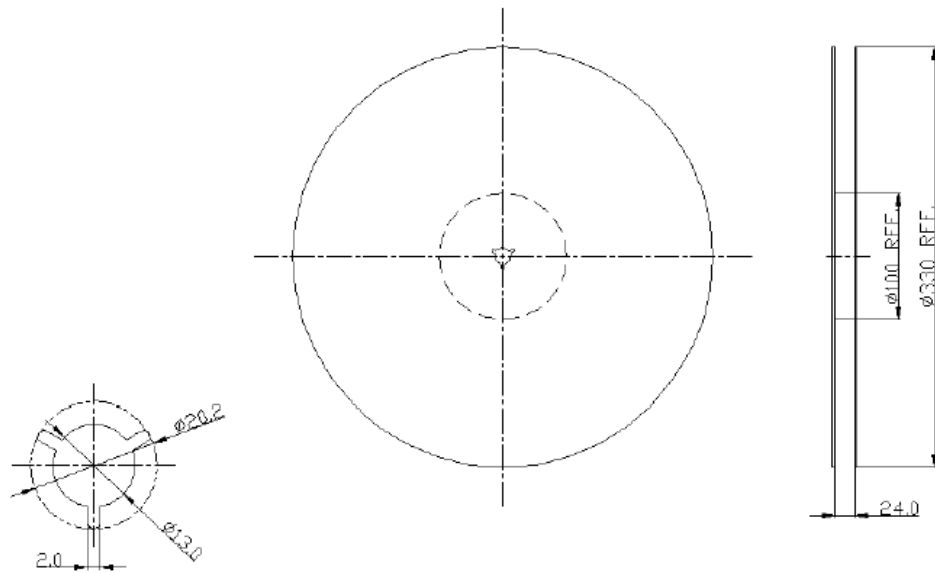
F. PCB Footprint:



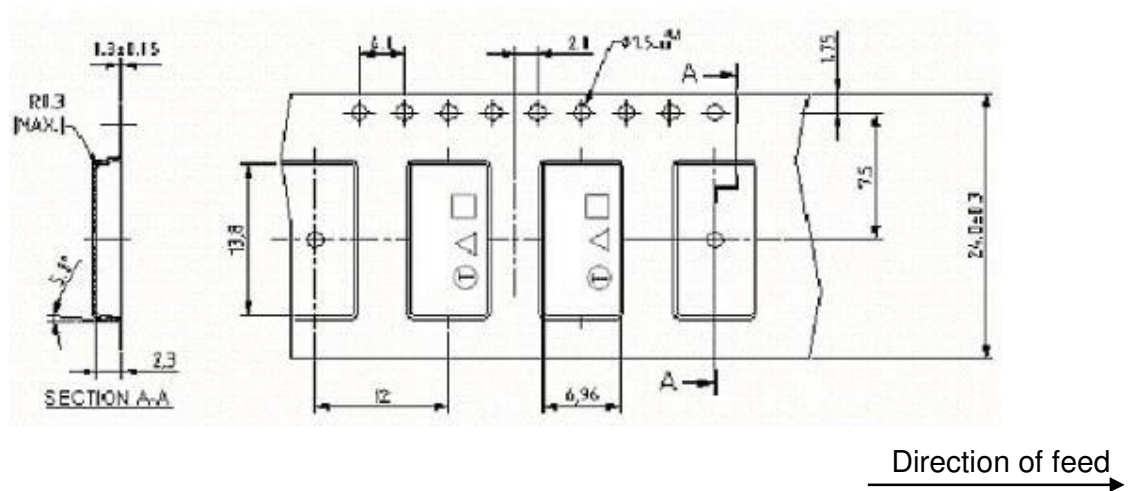
G. PACKING:

1. REEL DIMENSION

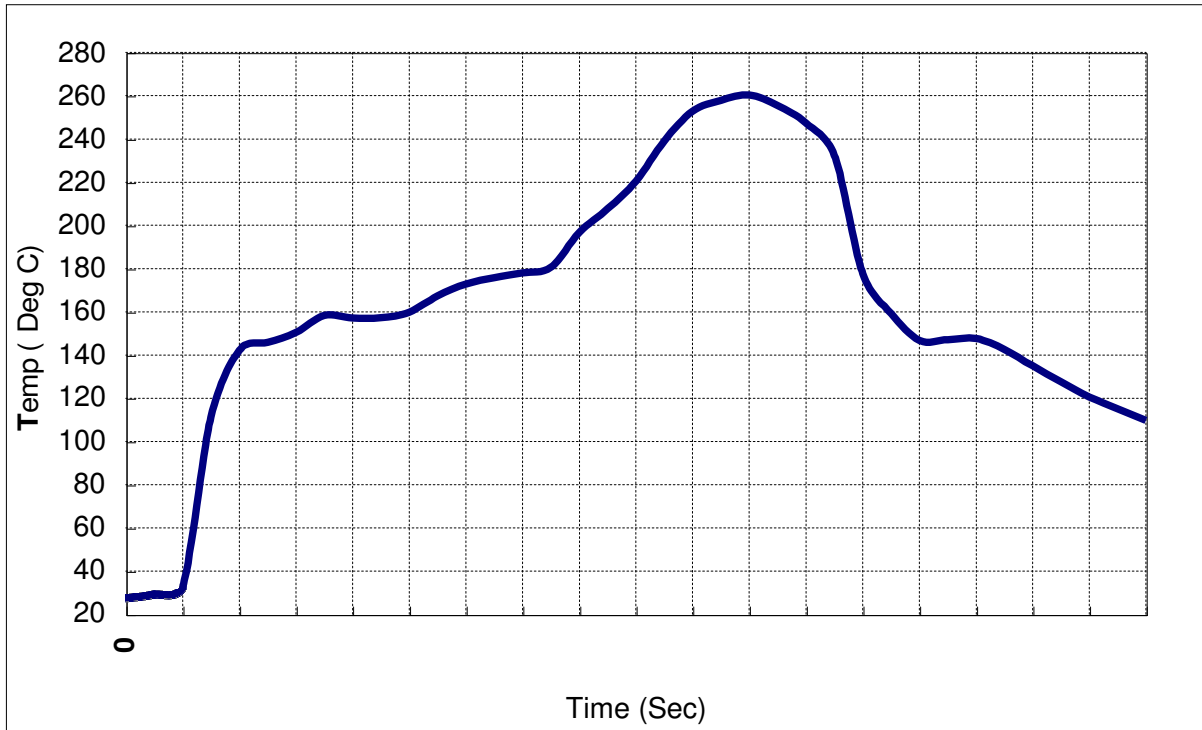
(Please refer to FR-75D10 for packing quantity)



2. TAPE DIMENSION



H. RECOMMENDED REFLOW PROFILE :



I. Environmental characteristics:

Thermal Shock	Heat cycle conditions -55 °C (30min) ↔ 125 °C (30min) * cycle time : 10 times	After testing , specimens would be kept at room temperature for 2 hour , and the specimens shall meet the electrical specifications, external visual inspection
Humidity test	Temperature : 85 °C Relative humidity : 85% Duration : 96hours	After testing , specimens shall be conditioned at room ambient conditions for not less than 1 hour, and the specimens shall meet the electrical specifications
Dry heat (Aging test)	Temperature : 125 ± 2 °C Duration : 250 hours	After testing , specimens would be kept at room temperature for 2 hour , and the specimens shall meet the electrical specifications
Cold resistance	Temperature : -40 ± 3 °C Duration : 96hours	After testing , specimens would be kept at room temperature for 2 hour , and the specimens shall meet the electrical specifications
PCT test	Pressure: 2.06kg/cm ² (2.03*10 ⁵ pa) Temperature : 121 ± 2 °C Relative humidity : 100±10% Duration : 24 hours	After testing , specimens shall be conditioned at room ambient conditions for not less than 0.5 hour, and the specimens shall meet the fine leak and gross leak test

J. ATP Test Data:

TST will provide for customer reference the following data with each production lot:

1. Electrical tests results for 100% supplied units at room temp in accordance with the following table:

NO.	Fo	BW1	BW2	BW3	maxIL	Ripple1	GD1	SB1	SB2	Temperature
-----	----	-----	-----	-----	-------	---------	-----	-----	-----	-------------

2. Electrical tests results for minimum 10pcs at extreme temperatures -55 °C, +85 °C.
3. Destructive pull test results for minimum 10pcs.
*TST guarantee to withstand pull test level of 3 gram.