



# TAI-SAW TECHNOLOGY CO., LTD.

No. 3, Industrial 2nd Rd., Ping-Chen Industrial District,  
Taoyuan, 324, Taiwan, R.O.C.

## Approval Sheet For Product Specification

Issued Date: 3/30/2007 (REV. NO: 1)

Product Name: SMD 6.0x3.5 12MHz Crystal Unit

TST Parts No.: TZ1050A

Customer Parts No. : \_\_\_\_\_

Company: _____
Division: _____
Approved by: _____
Date: _____

Checked by: \_\_\_\_\_ CC Hsu

Approval by: \_\_\_\_\_ Robert Chang

Date: \_\_\_\_\_ 3/30/2007



# TAI-SAW TECHNOLOGY CO., LTD.

No. 3, Industrial 2nd Rd., Ping-Chen Industrial District,  
Taoyuan, 324, Taiwan, R.O.C.

## SMD 6.0x3.5 12MHz Crystal Unit

MODEL NO.: TZ1050A

REV. NO.: 1

### Features:

- Surface Mount Seam Weld Package
- Excellent Reliability Performance
- Good Frequency Perturbation and Stability over temperature

RoHS Compliant  
Lead free  
Lead-free soldering

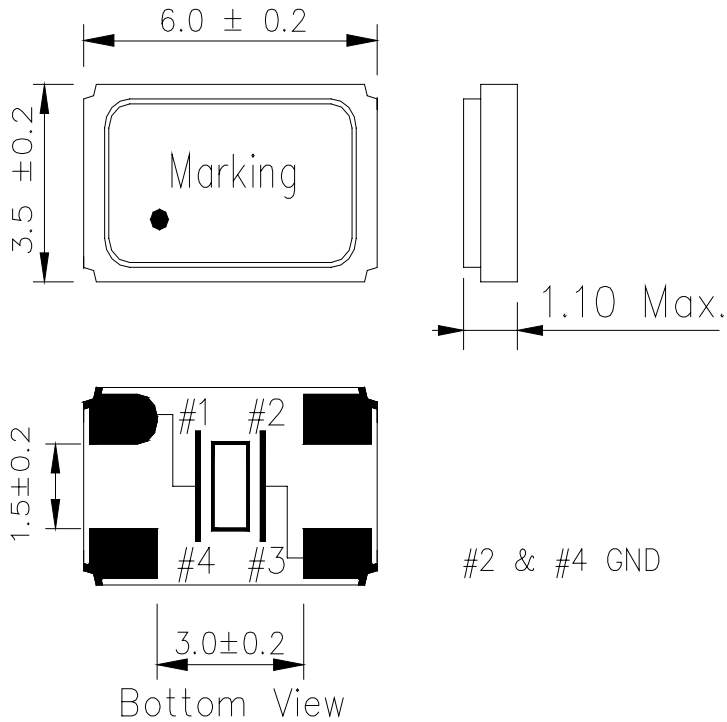
### Description and Applications:

Surface mount 6.0mmx3.5mm crystal unit for use in wireless telecommunications devices.

### Electrical Specifications:

TZ1050A	Specification
Nominal Frequency	12.000 MHz
Mode of Oscillation	Fundamental
Storage Temperature Range	-20°C to +85°C
Operating Temperature Range	-10°C to +70°C
Frequency Stability over Operating Temperature Range	+/- 30 ppm (referred to the value at 25°C)
Frequency Make Tolerance (FL)	+/- 30 ppm @ 25°C +/- 3°C
Equivalent Series Resistance (ESR)	60 Ω max
Nominal Drive Level	10 uW
Shunt Capacitance (Co)	5 pF max
Load Capacitance (CL)	18 pF
Aging	+/-3.0 ppm/year @25°C
Insulation Resistance	500 MΩ min./DC 100V
Marking	Laser marking

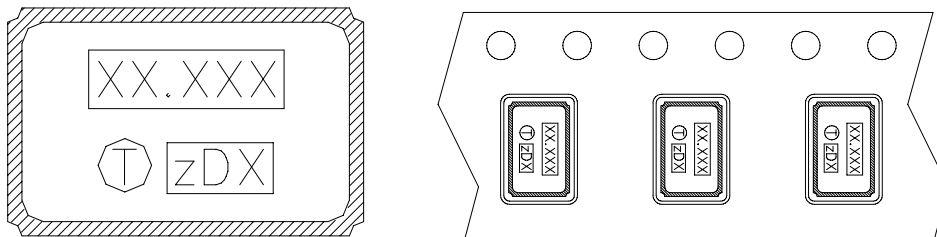
## Mechanical Dimensions (mm):



## Marking:

Line 1: Frequency ( 12.000)

Line 2: TST Logo + Crystal Product Code + Date Code



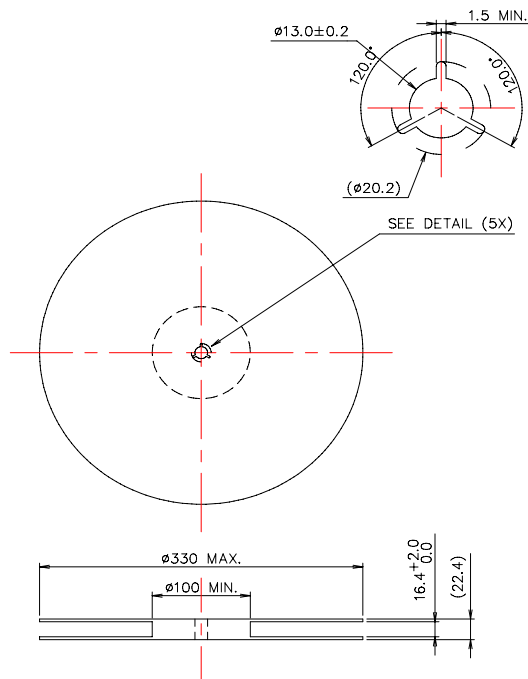
## Product Code Table

Year	2001 2005	2002 2006	2003 2007	2004 2008
Product Code	Z	z	⌒	⌒

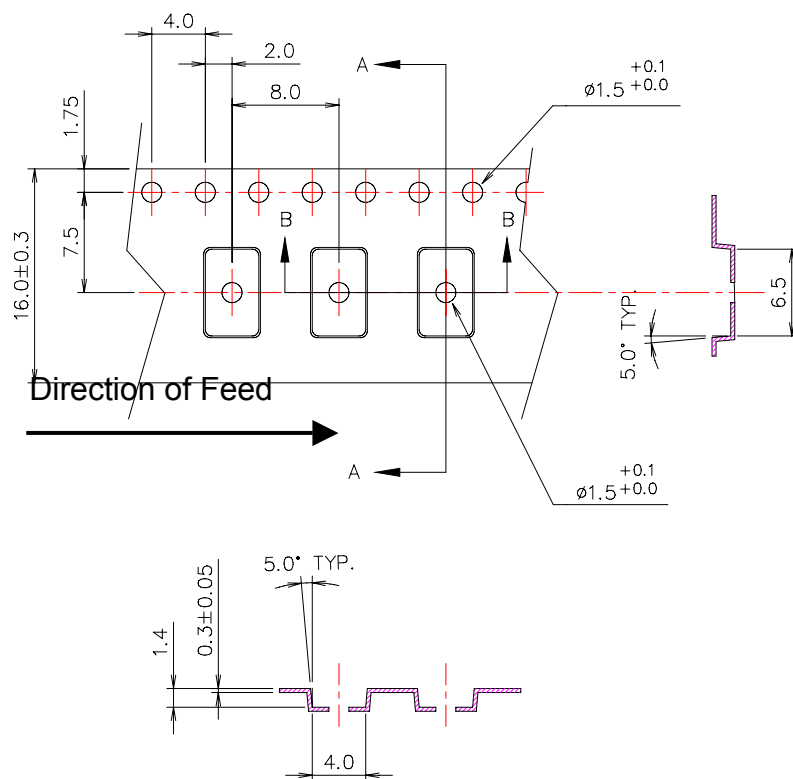
## Date Code Table

WK01	WK02	WK03	WK04	WK05	WK06	WK07	WK08	WK09	WK10	WK11	WK12	WK13
A	B	C	D	E	F	G	H	I	J	K	L	M
WK14	WK15	WK16	WK17	WK18	WK19	WK20	WK21	WK22	WK23	WK24	WK25	WK26
N	O	P	Q	R	S	T	U	V	W	X	Y	Z
WK27	WK28	WK29	WK30	WK31	WK32	WK33	WK34	WK35	WK36	WK37	WK38	WK39
a	b	c	d	e	f	g	h	i	j	k	l	m
WK40	WK41	WK42	WK43	WK44	WK45	WK46	WK47	WK48	WK49	WK50	WK51	WK52
n	o	p	q	r	s	t	u	v	w	x	y	z

# Reel Dimensions (mm):



# Tape Dimensions (mm):



[

# Reflow Profile:

