



# TAI-SAW TECHNOLOGY CO., LTD.

No. 3, Industrial 2nd Rd., Ping-Chen Industrial District,  
Taoyuan, 324, Taiwan, R.O.C.

## Approval Sheet For Product Specification

Issued Date: 07/07/2006

Product Name: 8.0x3.0mm DIP Tuning Fork 32.768kHz Crystal Unit

TST Part No.: TZ0924A

Customer Part No.: \_\_\_\_\_

Company: _____
Division: _____
Approved by : _____
Date: _____

Checked by: \_\_\_\_\_ Robert Chang

Approved by: \_\_\_\_\_ TF Yang

Date: \_\_\_\_\_ 07/07/2006



# TAI-SAW TECHNOLOGY CO., LTD.

No. 3, Industrial 2nd Rd., Ping-Chen Industrial District,  
Taoyuan, 324, Taiwan, R.O.C.

## 32.768kHz Crystal Unit

MODEL NO.: TZ0924A

REV. NO.: 1.0

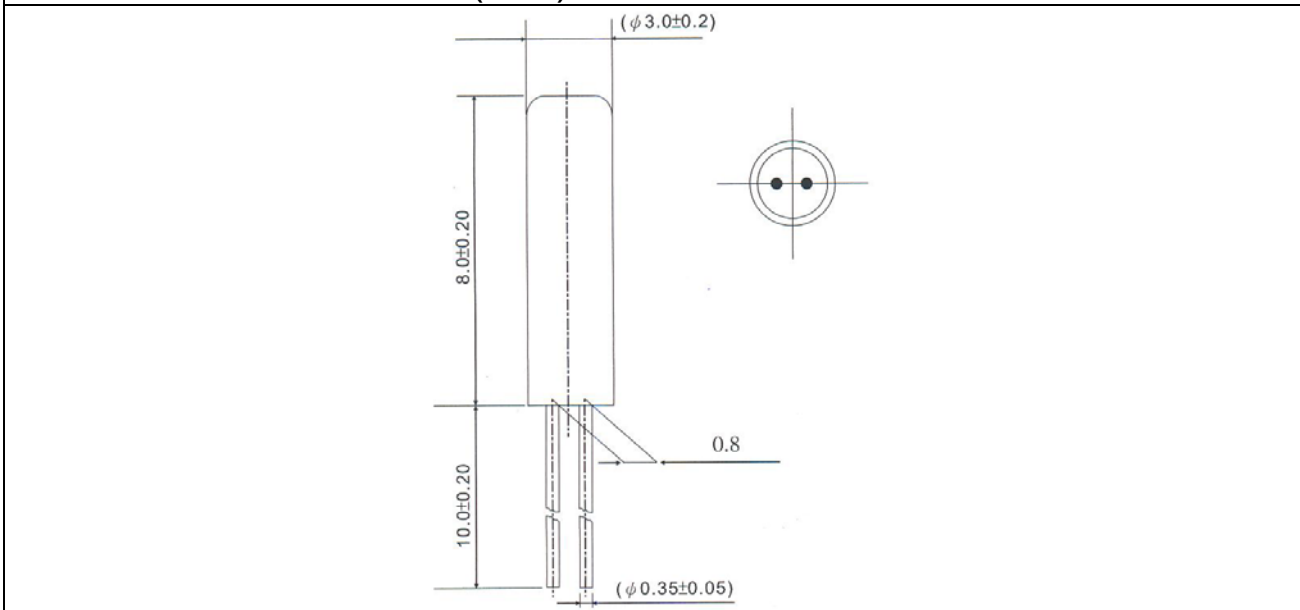
### Electrical Specifications:

RoHS Compliant

Lead-free soldering

Items	Specification
Nominal Frequency	32.7680 KHz
Storage temperature	-55 to +125 °C
Operating Temperature Range	-30°C to +85°C
Temperature characteristics - Turnover temperature	25+/-5 °C
Temperature characteristics - Parabolic curvature constant	-0.034 +/-0.006 ppm/°C <sup>2</sup>
Frequency Make Tolerance (FL)	+/-20 ppm @ 25°C +/- 2°C
Equivalent Series Resistance (ESR)	50K Ω max.
Drive Level	1.0uW max.
Load Capacitance (CL)	12.5 pF
Aging	+/-5 ppm max.
Insulation Resistance	500MΩ Min. / DC100V

### Mechanical Dimensions (mm):



**PACKING:** Bulk (1kpcs/Bag)