



TAI-SAW TECHNOLOGY CO., LTD.

No. 3, Industrial 2nd Rd., Ping-Chen Industrial District,
Taoyuan, 324, Taiwan, R.O.C.

Approval Sheet For Product Specification

Issued Date: 6/14/2005 (REV. NO: 2)

Product Name: SMD 4x2.5 16.0MHz Crystal Unit

TST Parts No.: TZ0621A

Customer Parts No. : _____

| |
|--------------------|
| Company: _____ |
| Division: _____ |
| Approved by: _____ |
| Date: _____ |

Checked by: _____ Kelly Huang _____

Approval by: _____ TF Yang _____

Date: _____ 6/14/2005 _____



TAI-SAW TECHNOLOGY CO., LTD.

No. 3, Industrial 2nd Rd., Ping-Chen Industrial District,
Taoyuan, 324, Taiwan, R.O.C.

SMD 4.0x2.5 16.0MHz Crystal Unit

MODEL NO.: TZ0621A

REV. NO.:2

Features:

- Surface Mount Seam Weld Package
- Excellent Reliability test
- Good Frequency Perturbation and Stability over Temperature

RoHS Compliant
Lead free
Lead-free soldering

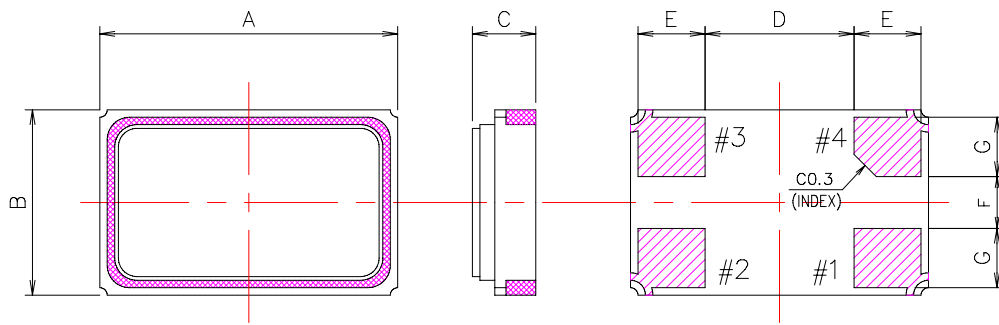
Description and Applications:

Surface mount 4.0mmx2.5mm crystal unit for use in wireless telecommunications devices, especially for a need of ultra miniature package for mobility.

Electrical Specifications:

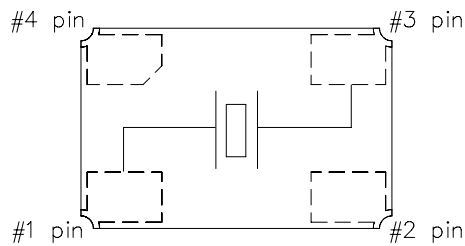
| TZ0621A | Specification |
|--|--------------------------|
| Nominal Frequency | 16.000000 MHz |
| Mode of Oscillation | Fundamental |
| Storage Temperature Range | -40°C to +125°C |
| Operating Temperature Range | 0°C to +125°C |
| Frequency Perturbation | +/-3.0 ppm |
| Frequency Make Tolerance (FL)+Deviation over Operating Temperature | +/-40 ppm @ 25°C +/- 3°C |
| Equivalent Series Resistance (ESR) | 60 Ω max. |
| Drive Level | 100 uW nom., |
| Shunt capacitance (Co) | 2.0 pF max |
| Load Capacitance (CL) | 16 pF |
| Marking | Laser marking |

Mechanical Dimensions (mm):



| UNIT \ ITEM | A | B | C | D | E | F | G |
|-------------|--------------|--------------|--------------|-------------|--------------|-------------|--------------|
| mm | 4.0 ±0.10 | 2.5 ±0.10 | 0.80 MAX. | 2.0 REF. | 0.9 ±0.10 | 0.7 REF. | 0.8 ±0.10 |

<PIN CONNECTION>
TOP VIEW



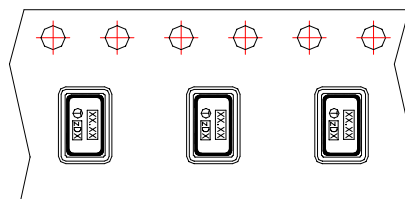
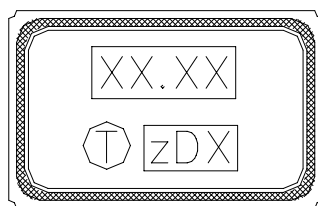
| | Pin Connection |
|--------|----------------|
| #1 pin | IN/OUT |
| #2 pin | GND |
| #3 pin | IN/OUT |
| #4 pin | GND |

Marking #2, #4 is connected with metal cap of top.

Marking:

Line 1: Frequency (16.00)

Line 2: TST Logo + Crystal Product Code + Date Code



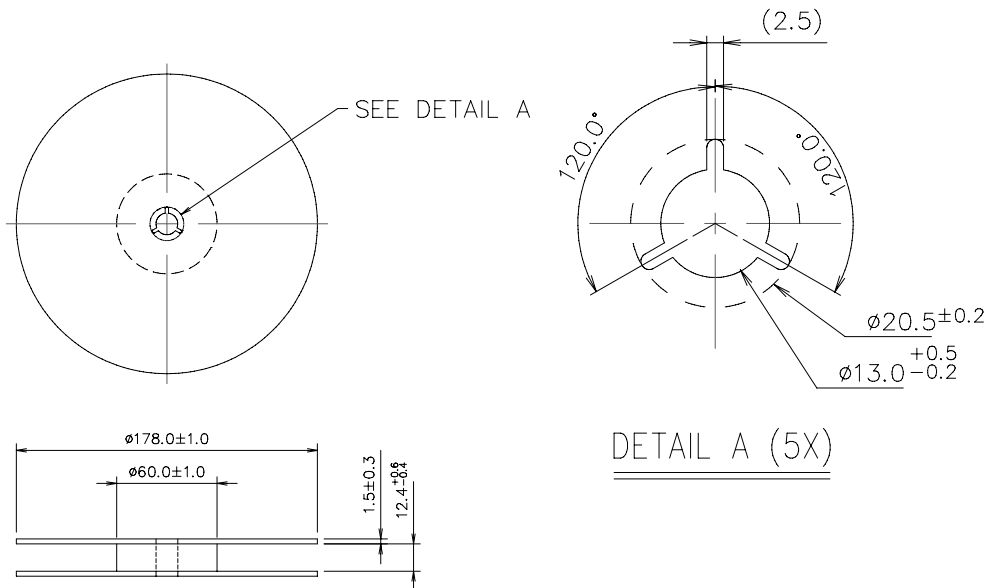
Product Code Table

| Year | 2001 2005 | 2002 2006 | 2003 2007 | 2004 2008 |
|--------------|--------------|--------------|--------------|--------------|
| Product Code | Z | z | ⌒ | ⌒ |

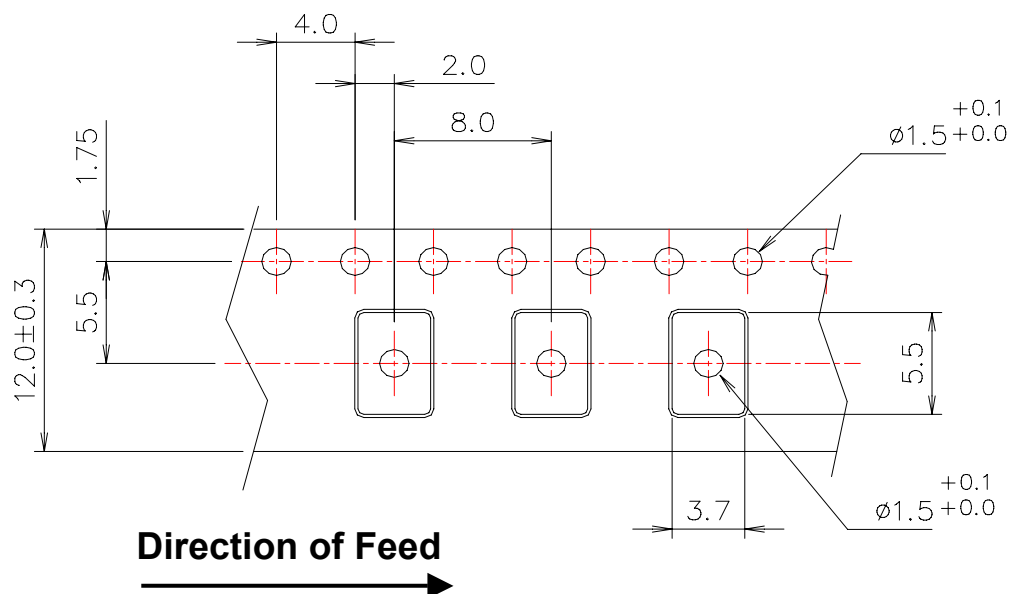
Date Code Table

| | | | | | | | | | | | | |
|------|------|------|------|------|------|------|------|------|------|------|------|------|
| WK01 | WK02 | WK03 | WK04 | WK05 | WK06 | WK07 | WK08 | WK09 | WK10 | WK11 | WK12 | WK13 |
| A | B | C | D | E | F | G | H | I | J | K | L | M |
| WK14 | WK15 | WK16 | WK17 | WK18 | WK19 | WK20 | WK21 | WK22 | WK23 | WK24 | WK25 | WK26 |
| N | O | P | Q | R | S | T | U | V | W | X | Y | Z |
| WK27 | WK28 | WK29 | WK30 | WK31 | WK32 | WK33 | WK34 | WK35 | WK36 | WK37 | WK38 | WK39 |
| a | b | c | d | e | f | g | h | i | j | k | l | m |
| WK40 | WK41 | WK42 | WK43 | WK44 | WK45 | WK46 | WK47 | WK48 | WK49 | WK50 | WK51 | WK52 |
| n | o | p | q | r | s | t | u | v | w | x | y | z |

Reel Dimensions (mm):



Tape Dimensions (mm):



[NOTE]:

1. Unless otherwise specified tolerance on dimension +/-0.1 mm.
2. Material: conductive polystyrene.
3. Color: black.
4. 10 pitch cumulative tolerance +/-0.2 mm.

Reflow Profile:

