

Радиочастотные фильтры
и ПАВ фильтры

Тел: (495)411-96-09
Факс: (495)411-96-09

121357, г. Москва ул.
Верейская д.29

E-mail: mail@sawtechno.ru
Web: www.sawtechno.ru

A. MAXIMUM RATING:

1. Input Power Level: 10 dB_m
2. DC voltage: 5 V
3. Operating Temperature: -30°C to 60°C
4. Storage Temperature: -30°C to +85°C

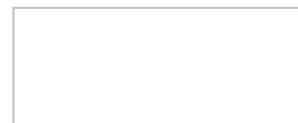
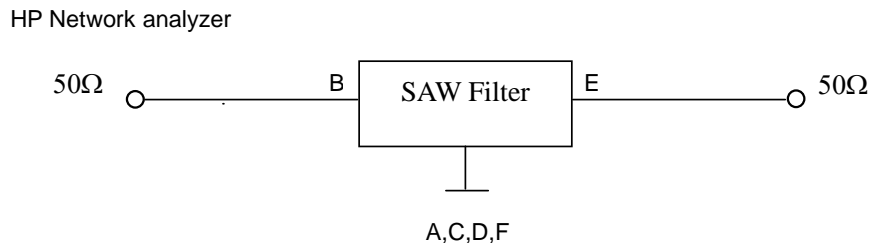
RoHS Compliant
Lead free
Lead-free soldering

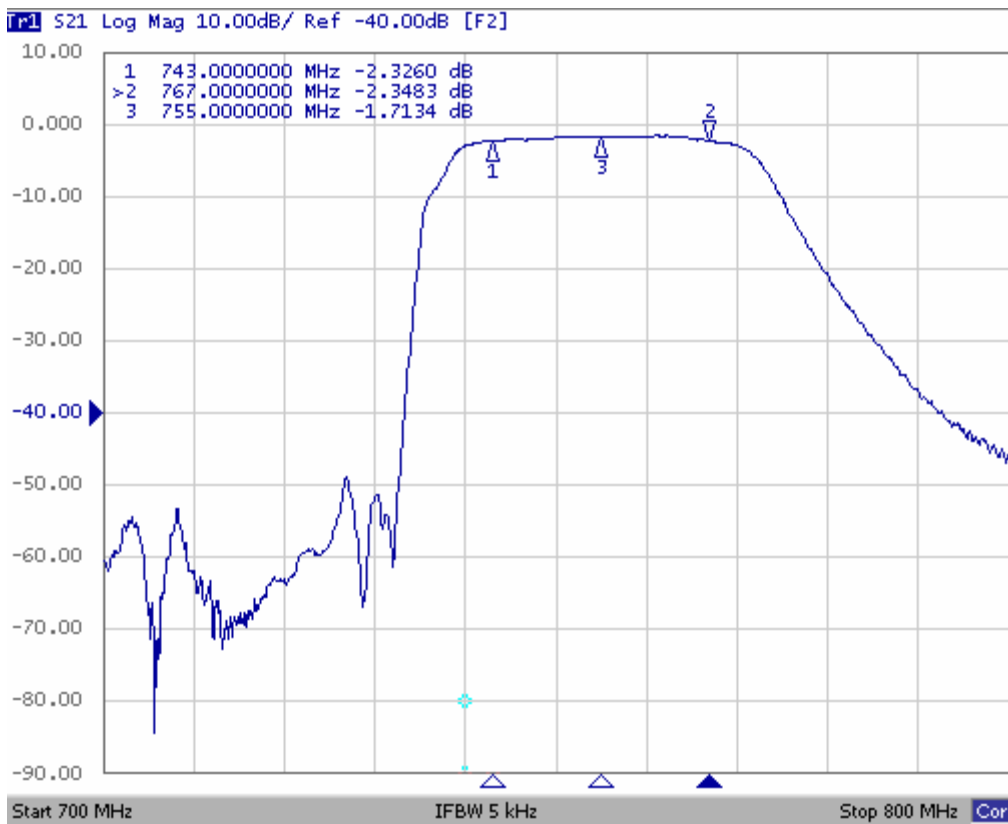
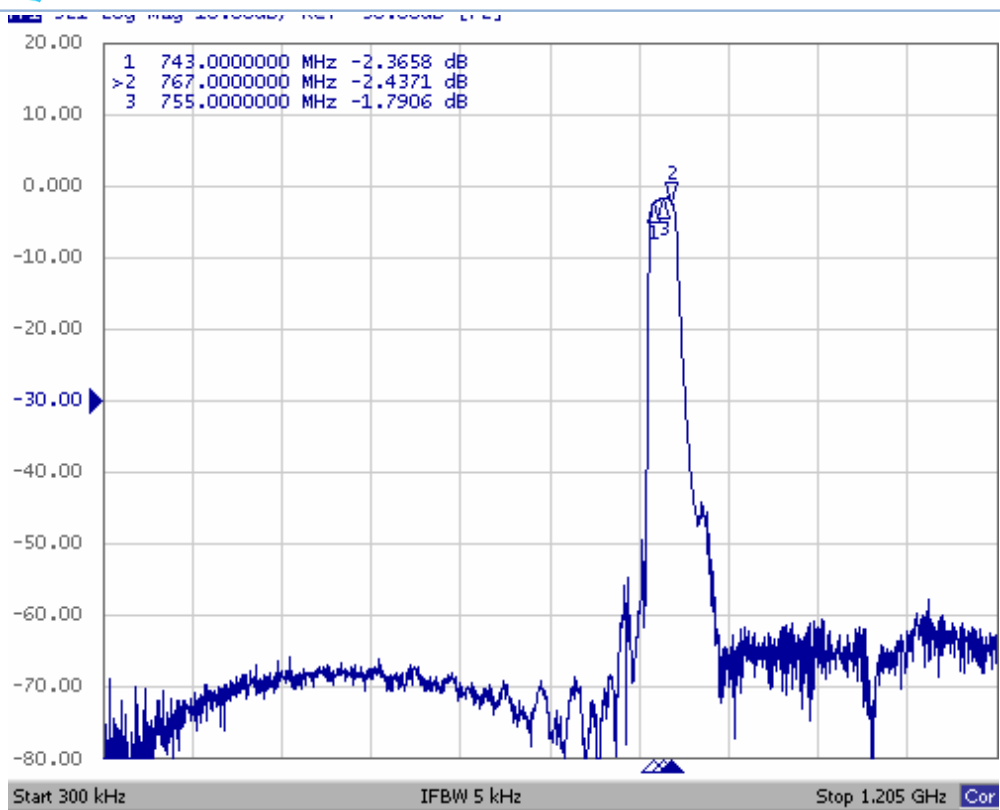
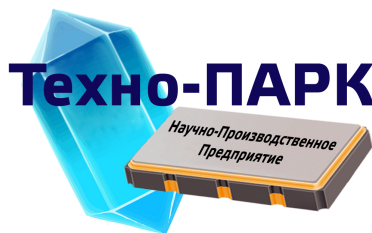
B. CHARACTERISTICS:

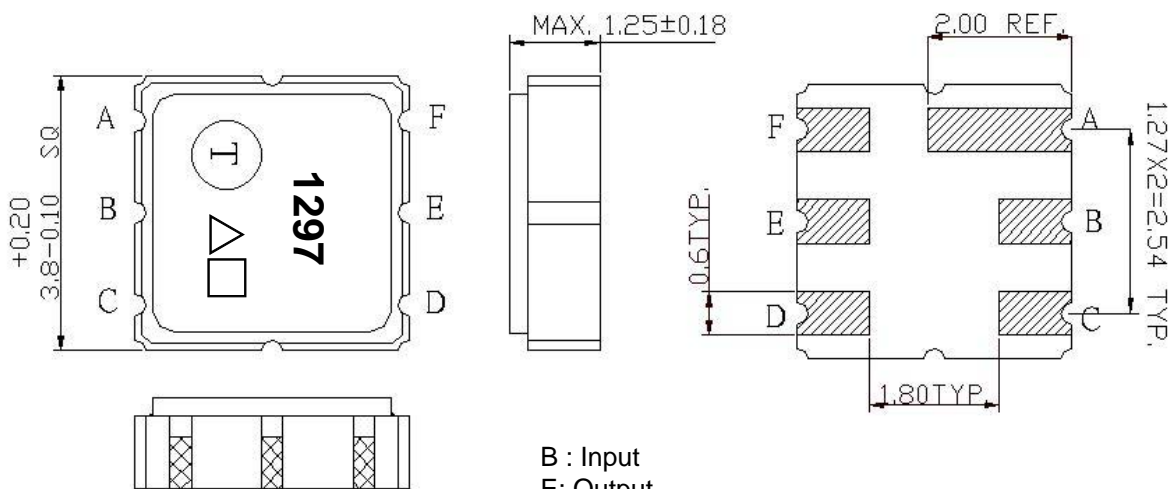
Item	Unit	Min.	Typ.	Max.
Center frequency F _c MHz		-	755	-
3dB Bandwidth MHz	dB	24	32	-
Amplitude ripple 743 ~ 767 MHz	dB	-	1.0	1.7
Insertion loss 743 ~ 767 MHz	dB	-	2.6	3.0
Group Delay variation within 743 ~ 767 MHz	ns	-	25	200
Attenuation (reference from 0dB)				
0.3 ~ 680 MHz	dB	40	52	-
680 ~ 729 MHz	dB	10	45	-
781 ~ 845 MHz	dB	10	20	-
845 ~ 1055 MHz	dB	40	53	-
1050 ~ 1205 MHz	dB	45	50	-
Source impedance Z _S	Ω	-	50	-
Load impedance Z _L	Ω	-	50	-

Note1. No matching network required for operation at 50Ω

C. MEASUREMENT CIRCUIT:





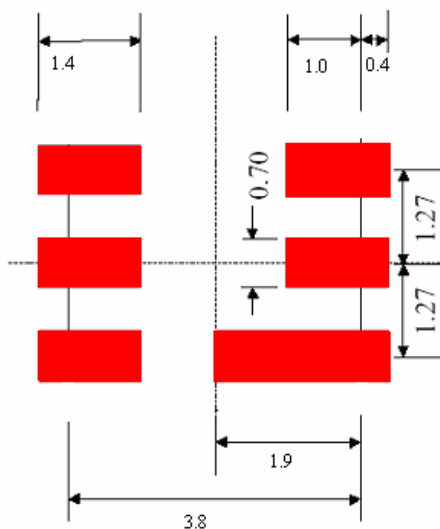


B : Input
 E: Output
 A,C,D,F Ground
 △:Year Code
 □: Date Code(Follow the table provided by planner each year.)
 Unit: mm

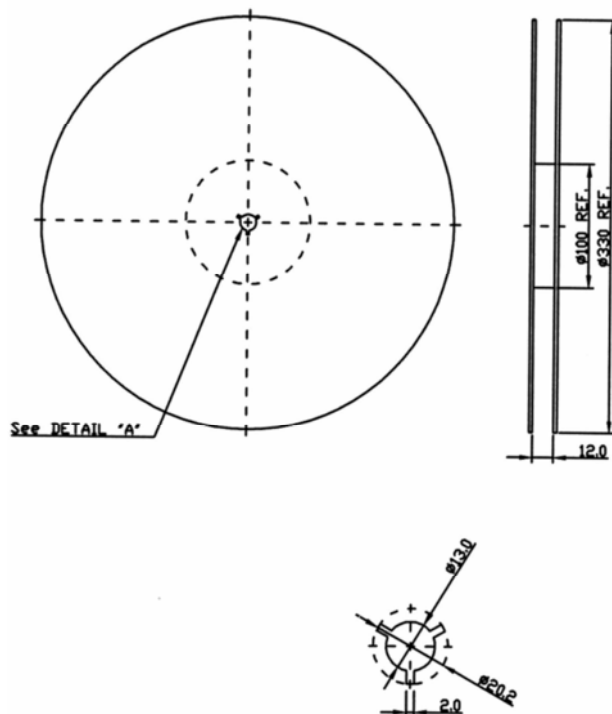
△ Product Year Code

Year	2008	2008
	2009	2010
	2011	2012
Product Code	A	a

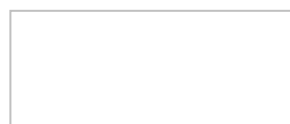
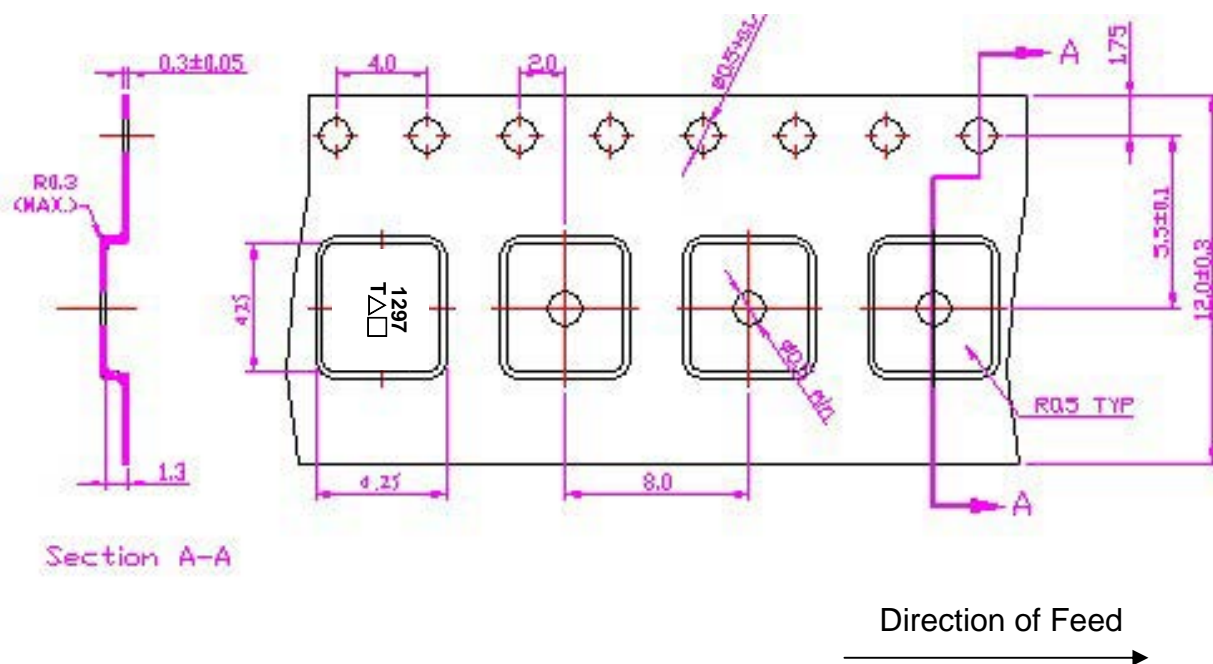
F.PCB FOOTPRINT:

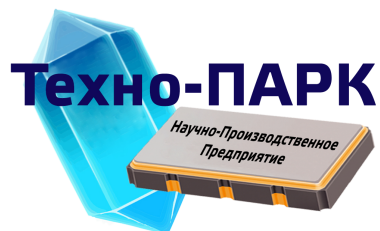


1. REEL DIMENSION



2. TAPE DIMENSION





Радиочастотные фильтры
и ПАВ фильтры

Тел: (495)411-96-09

Факс: (495)411-96-09

121357, г. Москва ул.
Верейская д.29

E-mail: mail@sawtechno.ru

Web: www.sawtechno.ru

Recommended Reflow Profile

